



ILLINOIS

UNIVERSITY OF ILLINOIS AT URBANA-CHAMPAIGN

**PRODUCTION NOTE**

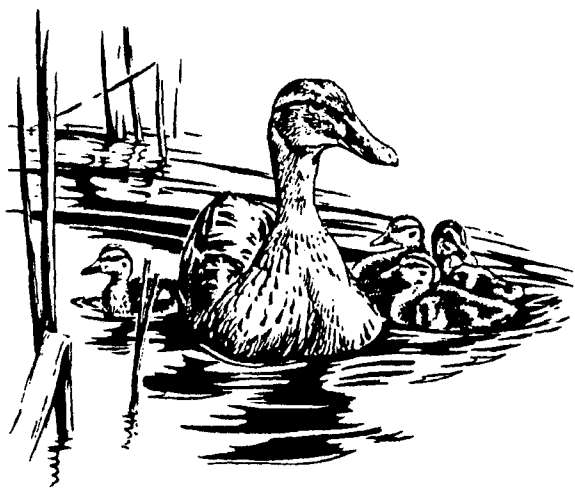
University of Illinois at  
Urbana-Champaign Library  
Large-scale Digitization Project, 2007.



INHS  
CWF  
Sept. 15, 2000

# ILLINOIS NATURAL HISTORY SURVEY

CENTER FOR WILDLIFE ECOLOGY



Mallard Investigations

W-130-R-4

Quarterly Federal Aid Performance Report

Prepared by:

Christopher S. Hine,  
Aaron P. Yetter,  
Stephen P. Havera,  
Michelle M. Horath,  
and  
Elizabeth C. Whetsell

Submitted by:

Stephen P. Havera  
Illinois Natural History Survey, Havana  
15 September 2000



## QUARTERLY FEDERAL AID PERFORMANCE REPORT

Mallard Investigations

W-130-R-4

Stephen P. Havera - Illinois Natural History Survey, Havana

1 July through 30 September 2000

### STUDY I: NESTING BIOLOGY OF MALLARDS IN ILLINOIS

JOB NO. I.1. Nesting History and Reproductive Success of Mallards in Illinois

JOB NO. I.2. Mallard Use of Cylindrical Artificial Nest Structures

At the beginning of segment 4, fieldwork to complete segment 3 was still ongoing. Radio-marked female mallards (*Anas platyrhynchos*) at the Metropolitan Water Reclamation District of Greater Chicago (MSD) were monitored until 7 August when all nesting and brood-rearing activities had ceased. Field procedures for this segment followed those described by Hine et al. (1998) and Yetter et al. (1999)

Following the field season, data from segments 1-3 of this study were analyzed and compiled (Yetter et al. 2000). In addition, banding schedules were prepared and reported to the U.S. Fish and Wildlife Service, Bird Banding Laboratory in Laurel, Maryland, and plans were developed to construct a new live decoy holding facility at Forbes Biological Station.

For Job No. I.2, pertinent literature on waterfowl nesting biology, radio telemetry, and artificial nesting structures was collected and reviewed. Methodologies for placement of artificial nest structures have been discussed, and potential sites for nest structures are being identified at MSD.

TriCounty Ducks and Geese Forever, Inc., a private sportsmen's organization, contributed funding to purchase 50 cylindrical nesting structures (Hen House™, Dakota Nesting Structures

Inc., Valley City, ND) and mounting posts (Fig. 1). The cylinders are 15 inches in diameter and 3 feet in length and constructed of 1 in x 2 in rolled welded wire mesh with flax straw incorporated into the mesh. Nesting structures will be mounted on 3 in x 10 ft metal sign posts. All nesting structures and posts were purchased and delivered to Forbes Biological Station. The Hen Houses™ will be erected at the MSD study area during winter 2000-2001.

#### LITERATURE CITED

- Grondahl, C. and J. Dockter. No Date. Building nest structures, feeders, and photo blinds for North Dakota wildlife. North Dakota Game and Fish Department, Bismarck, ND. 39 pp. Northern Prairie Wildlife Research Center Home Page. Jamestown, ND. <<http://www.npwrc.usgs.gov/resource/tools/ndblinds/ndblinds.htm>> (Version 2 July 1999). (Accessed 25 August 2000).
- Hine, C.S., A.P. Yetter, S.P. Havera, M.M. Georgi, and L.L. Anderson. 1998. Mallard investigations. Annual federal aid performance report to Illinois Dept. of Nat. Resources. W-130-R-1. August. 20 p.
- Yetter, A.P., C.S. Hine, S.P. Havera, M.M. Horath, and E.C. Whetsell. 1999. Mallard investigations. Annual federal aid performance report to Illinois Dept. of Nat. Resources. W-130-R-2. August. 11 p.
- Yetter, A.P., C.S. Hine, S.P. Havera, M.M. Horath, and E.C. Whetsell. 2000. Mallard investigations. Final federal aid report to Illinois Dept. of Nat. Resources. W-130-R-1-2-3. August. 41 p.

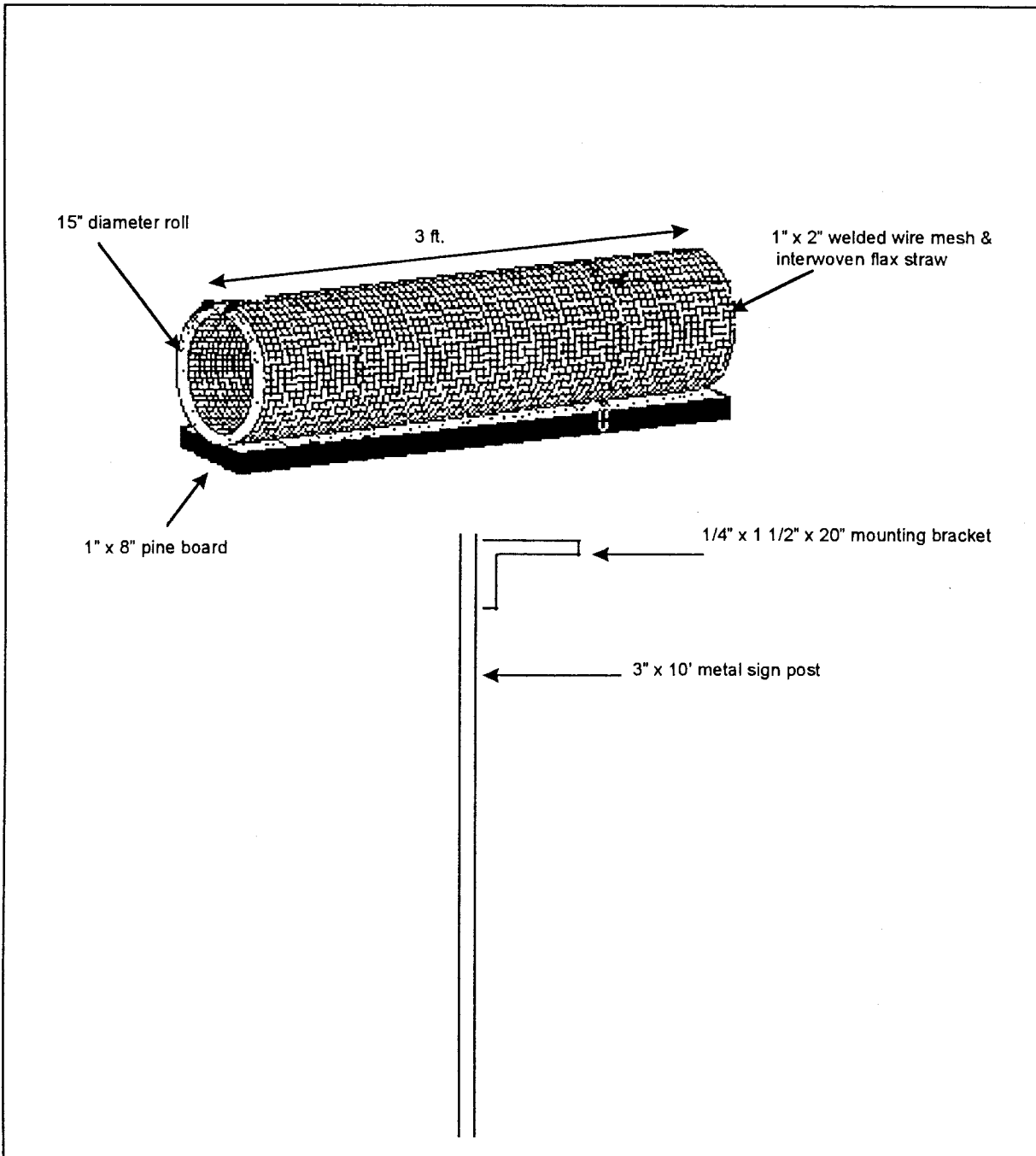
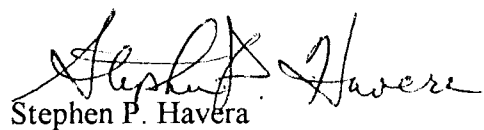


Figure 1. Cylindrical artificial nest structure (Hen House™) and support post to be used at the Metropolitan Water Reclamation District of Greater Chicago, 2001-2003 (Modified from Grondahl and Dockter, no date).

**This page is intentionally blank.**



SUBMITTED BY:

A handwritten signature in black ink, appearing to read "Stephen P. Havera". The signature is written in a cursive style with some loops and flourishes.

Stephen P. Havera  
Senior Professional Scientist  
Illinois Natural History Survey

DATE: 15 September 2000

